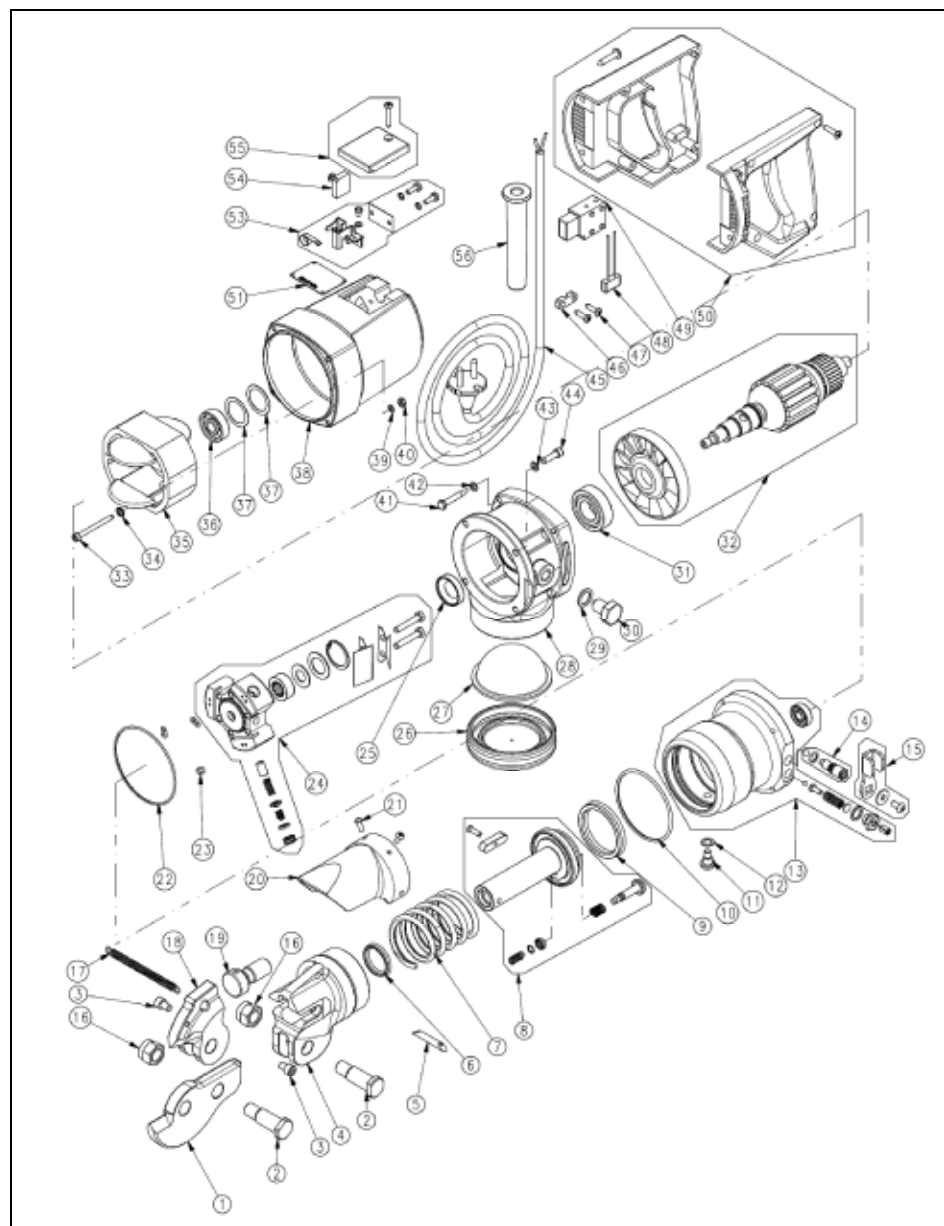


PRO-CUT 12 ELECTRIC SHEAR COMPONENTS Rear handle for shear blades P/N 1.50.1298

Pos.	HTNW NO.	P/N	Item	Q.ty
1	13110002	1.10.4300	FIXED BLADE	1
2	95140858	1.10.3924	CENTRAL PIN	2
3	95149913	1.60.715	SCREW	2
4	95140827	1.10.4413	HEAD SUPPORT	1
5	95149914	1.10.5632	CYLINDRICAL PIN	1
6	95149910	1.30.491	GASKET	1
7	95140897	1.10.231	PISTON RETURN SPRING	1
8	95149915	1.50.1325	PISTON ASSEMBLY	1
9	95140888	1.30.502	GASKET	1
10	95149916	1.30.506	O-RING	1
11	95149802	1.10.4042	HEAD LOCK SCREW	1
12	95149801	1.70.006	COPPER WASHER	1
13	95149917	200.066	CYLINDER ASSEMBLY	1
14	95140890	1.50.1940	MANUAL RETURN VALVE (VALVE ASSEMBLY)	1
15	95140885	1.50.1941	MANUAL RETURN VALVE (LEVER ASSEMBLY)	1
16	95149901	1 60 230	NUT	2
17	95140820	1.10.230	HEAD RETURN SPRING	1
18	13110001	1.10.3920	MOBILE BLADE	1
19	95149905	1.10.3931	MOBILE BLADE THRUST PIN	1
20	95140826	1.30.1898	SAFETY SHELL	1
21	95140877	1.60.3040	SCREW	2
22	95149918	1.30.46	O-RING	1
23	95149918	1.30.17	O-RING	3
24	95140814	1.50.511	PUMP ASSEMBLY	1
25	95149955	1.60.014	OIL GUARD	1
26	95149923	1.10.3699	OIL TANK CAP	1
27	95149934	1.10.3704	MEMBRANE	1
28	95149924	1.10.3697	OIL TANK	1
29	95140811	1.60.337	GASKET FOR MAGNETIC CAP	1
30	95149925	1.50.506	MAGNETIC CAP	1
31	95149926	1.60.013	BEARING	1
32	95149927	200.064	ROTOR ASSEMBLY WITH FAN	1
33	95149928	1.60.949	SCREW	2
34	95149930	1.60.382	TOOTHED WASHER	2
35	95149931	1.40.906	STATOR	1
36	95149933	1.60.003	BEARING	1
37	95149970	1.60.324	ADJUSTING RING	2
38	95140808	1.30.034G	MOTOR COVER	1
39	95149935	1.10.811	WASHER	2
40	95149936	1.60.207	NUT	2
41	95149939	1.60.480	SELF-TAPPING SCREW	4
42	95149838	1.60.314	SPRING WASHER	4
43	95149833	1.60.410	WASHER	4
44	95149940	1.60.3021	SCREW	4
45	95149941	1.40.012	CABLE WITH PLUG	1
46	95149942	1.30.20	PLASTIC CABLE CLAMP	1
47	95149943	1.60.129	SELF-TAPPING SCREW	2
48	95149944	1.40.002	ANTI-DISTURBANCE FILTER	1
49	95140866	1.40.020	SWITCH	1
50	95149945	1.50.1943	HALF-SHELL ASSEMBLY WITH SCREWS	1
51	95149946	1.90.127	ADHESIVE LABEL	1
53	95149948	1.50.1936	BRUSH HOLDER KIT	2
54	95149949	1.30.05	MOTOR BRUSH	2
55	95149950	1.50.1391	BRUSH COVER ASSEMBLY	2
56	95149951	1.30.21	CABLE HOLDER	1